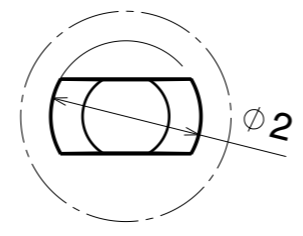
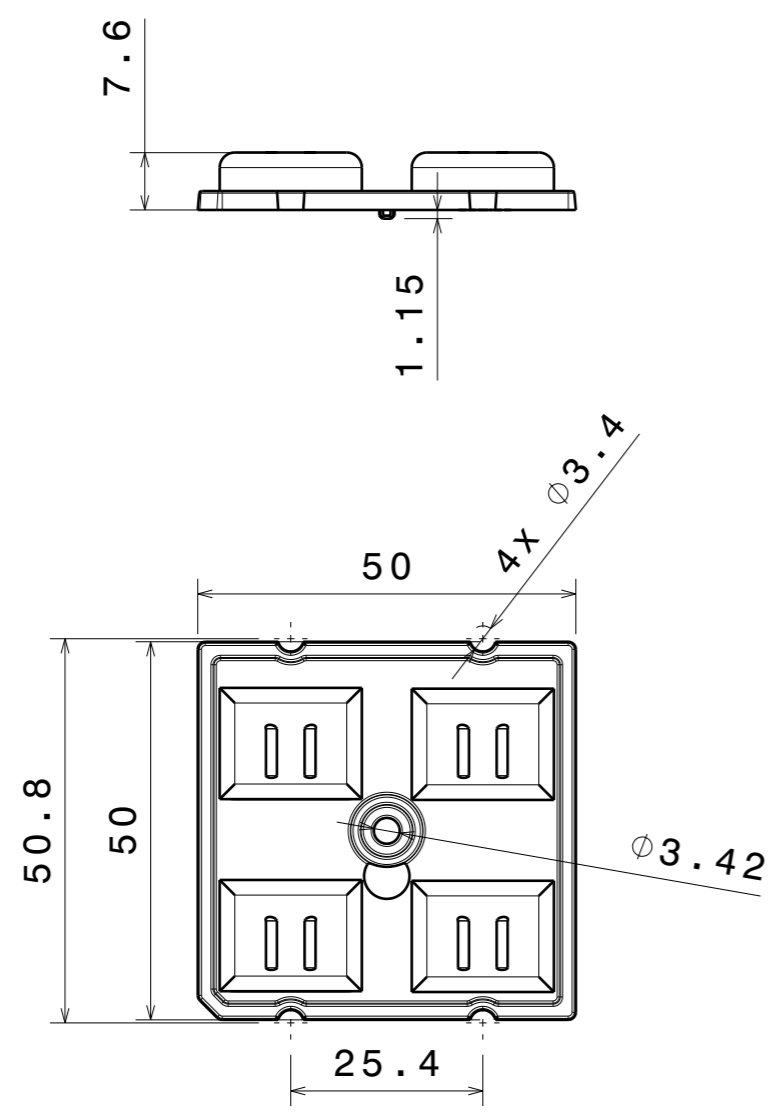
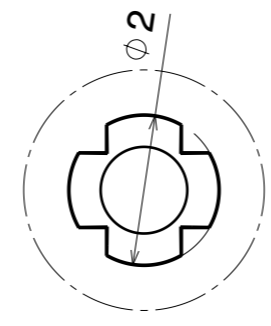


REV	DATE
001	06.03.2026

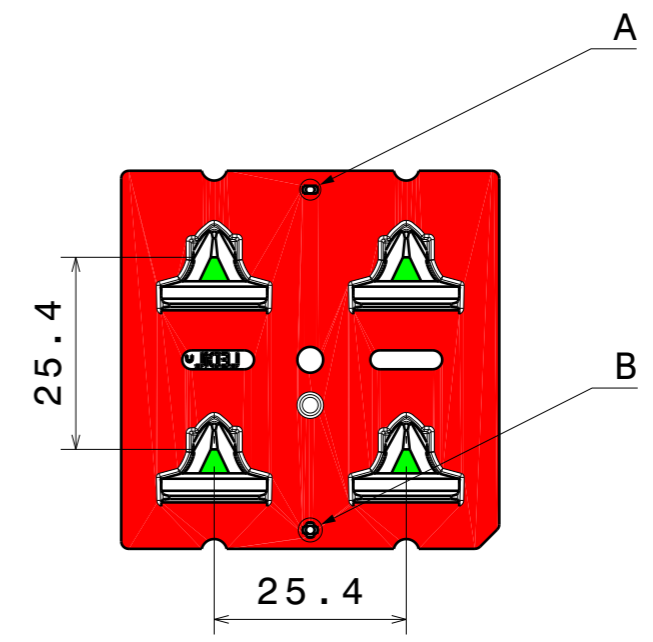
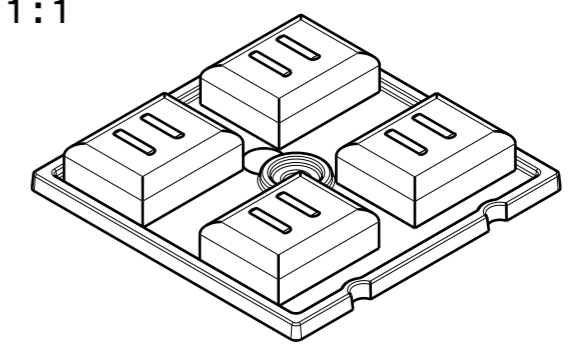


Detail A  
Scale: 10:1



Detail B  
Scale: 10:1

Isometric view  
Scale: 1:1



**Notes**

- PCB or heatsink level.
- LED location
- Ensure LED fitting from a product specific 3D model available from [www.ledil.com](http://www.ledil.com)
- For more details about installation please see LEDiL Installation Guide on [www.ledil.com](http://www.ledil.com)

PART	MATERIAL	COLOR / COATING
L20620_SPECTRE-Y-2X2-T2_001_MechanicalModel_001	PMMA	YELLOW

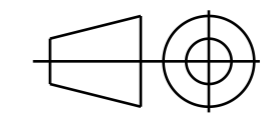
**MECHANICAL DRAWING**

PRODUCT -

**LEDiL**

Plastic moulding general tolerances according to DIN 16901-130 and applies if not otherwise shown in the drawing.  
Silicone moulding general tolerances according to ISO 3302-1 Class M3 and applies if not otherwise shown in the drawing.

FIRST ANGLE PROJECTION:



This drawing is the property of LEDiL Oy. It may not be copied or otherwise distributed without prior written permission from LEDiL Oy.

SCALE	1:1	WEIGHT	-	A3	SHEET 1/1
-------	-----	--------	---	----	-----------